

# PARTS LIST

[RD-T7GN]  
[RD-T5BU]

\* All printed circuit boards and its assemblies are not available as service parts.

## Area suffix

J ----- U.S.A.  
C ----- Canada

## - Contents -

Exploded view of general assembly and parts list .....	3- 3
Electrical parts list .....	3- 5
Packing materials and accessories parts list .....	3-11

< M E M O >

# Exploded view of general assembly and parts list

Block No. M 1 M M

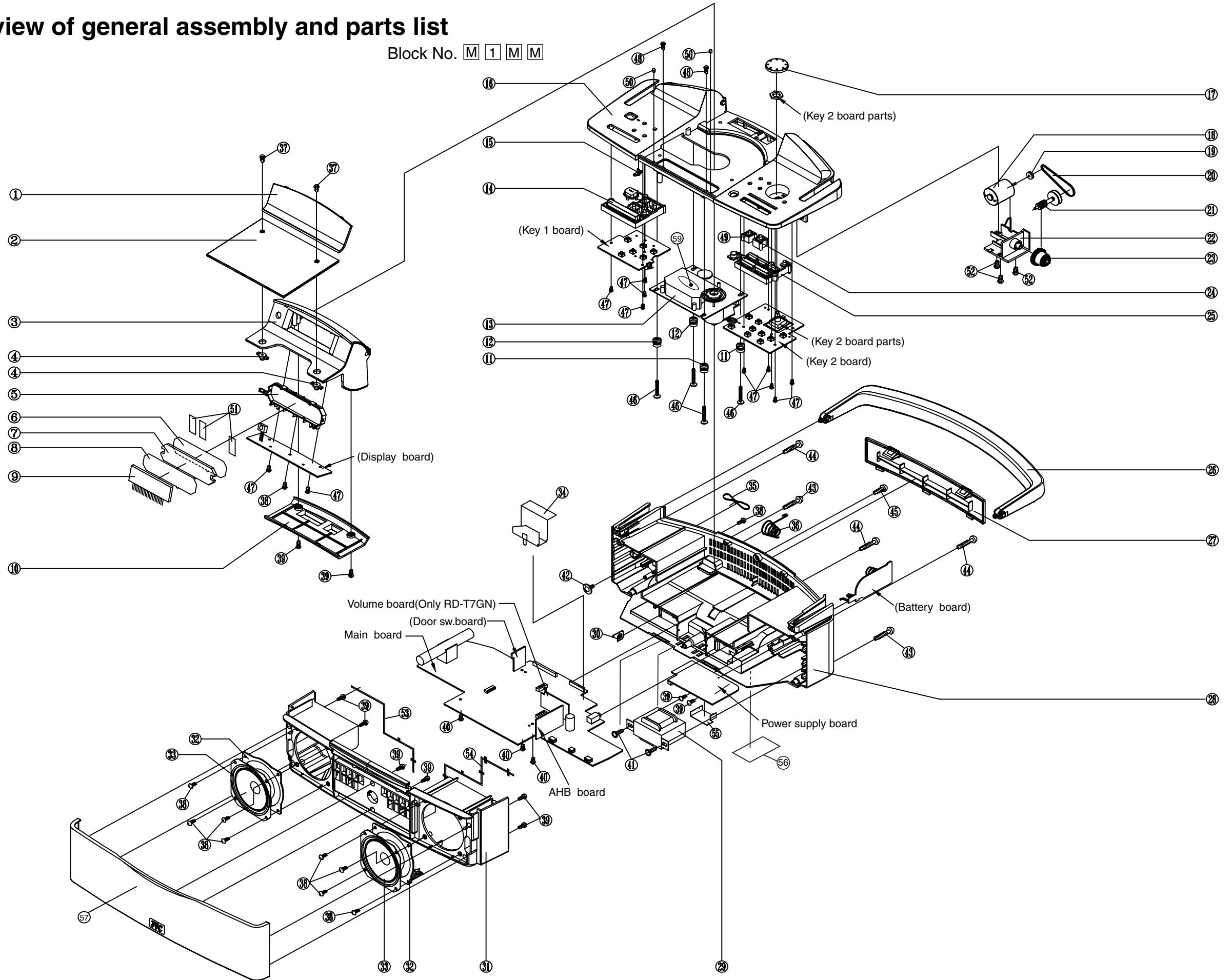
5

4

3

2

1



A

B

C

D

E

F

G

## ■ Parts list (General assembly)

Block No. M1MM

△	Item	Parts number	Parts name	Q'ty	Description	Area
	1	GJ4C05808001C0	LENS LCD	1		
	2	GJ4C05809001C0	LENS CD DOOR	1	RD-T5BU	
		GJ4C05809003C0	LENS CD DOOR	1	RD-T7GN	
	3	GJ4A05807001B0	DOOR CD	1		
	4	GJ4A05821001A0	MOUTING POST	2		
	5	GJ4B05822001A0	LCD HOLDER	1		
	6	GJ745000070000	LCD DIFFISION(2	1		
	7	GJ4C05823001A0	REFLECTION LENS	1		
	8	GJ745000060000	LCD DIFFISION(1	1		
	9	GJ373010390510	LCD DISPLAY	1		
	10	GJ4B05810001A0	COVER CD DOOR	1		
	11	GJ391009531	RUBBER VIVRATIO	2		
	12	GJ391009521	RUBBER VIVRATIO	2		
	13	GJ384000030000	CD MECHA	1		
	14	GJ4A05812001E0	FUNCTION KNOB(L	1	RD-T7GN	
		GJ4A05812002E0	FUNCTION KNOB(L	1	RD-T5BU	
	15	GJ4C05811001A0	LED LENS	1		
	16	GJ4B05806001E0	CABINET TOP	1	RD-T5BU	
		GJ4B05806101E0	CABINET TOP	1	RD-T7GN	
	17	GJ4A05817001B0	JOG KNOB	1		
	18	GJ381020290003	MOTOR	1		
	19	GJ460400320101	PULLEY	1		
	20	GJ560430010101	LOADING BELT	1		
	21	GJ4D05819001A0	WORM GEAR	1		
	22	GJ4B05820001A0	HOLDER GEAR	1		
	23	GJ4D05818001A0	REDUCE GEAR	1		
	24	GJ4A05814001B0	RANDOM KMOB	1		
	25	GJ4A05813001E0	FUNCTION KNOB(	1		
	26	GJ4A05805001B0	HANDLE	1		
	27	GJ4B05804001B0	DOOR BATTERY	1		
	28	GJ4B05803001B0	REAR CABINET	1		
△	29	GJ336480240007	TRANSFORMER	1	EI-48 120V T901	
	30	GJ711001940100	BATTERY SPRING	1		
	31	GJ4B05801001F0	FRONT CABINET	2		
	32	GJ761000330100	CUSHION	2		
	33	GJ370040070017	SPEAKER	2		
	34	GJ780000420100	HEAT SINK	1		
	35	GJ351001072231	FM PG TAIL	1		
	36	GJ2020Q350400	BATTERY SPRING	1		
	37	GJ700423400850	SCREW	2		
	38	GJ702244300810	SCREW	10		
	39	GJ702244301010	SCREW	10		
	40	GJ700223261210	SCREW	3		
	41	GJ702264301410	SCREW	2		
	42	GJ703308000200	SCREW	1		
	43	GJ702244304510	SCREW	2		
	44	GJ702224302510	SCREW	3		
	45	GJ700223301210	SCREW	1		

## ■ Parts list (General assembly)

Block No. M1MM

△	Item	Parts number	Parts name	Q'ty	Description	Area
	46	GJ700263261610	SCREW	4		
	47	GJ700231260810	SCREW	11		
	48	GJ702224301250	SCREW	2		
	49	GJ4A05815001B0	A.H.B.KNOB	1	RD-T7GN	
	50	GJ782000160100	FOOT RUBBER	2		
	51	GJ2459847000	HIMELON	3		
	52	GJ702254301050	SCREW	3		
	53	GJ763000630100	FELT SHEET	1		
	54	GJ763000640100	FELT SHEET	1		
	55	GJ790000650101	PVC SHEET	1		
	56	GJ560580100101	NAME PLATE	1	RD-T7GN	
		GJ560580130101	NAME PLATE	1	RD-T5BU	
	57	GJA2024014001C	SPEAKER NET	1	RD-T5BU	
		GJA2024011001C	SPEAKER NET	1	RD-T7GN	
	59	OPTIMA-7B	OPTICAL PICK-UP	1		

## ■ Electrical parts list (Main board)

Block No. 01

△	Item	Parts number	Parts name	Remarks	Area	△	Item	Parts number	Parts name	Remarks	Area
	A - A	GJ351000082612	J.WIRE				C 316	GJ264141022199	C.CAPACITOR	50V B K 1000PF	
	BATTE	GJ351020192612	J.WIRE	190MM			C 317	GJ270141061599	E.CAPACITOR	25V SA M 10UF	
	C 1	GJ264141022199	C.CAPACITOR	50V B K 1000PF			C 318	GJ264271032199	C.CAPACITOR	16V Y M 0.01UF	
	C 2	GJ210131502499	CHIP CAPACITOR	1608 50V CH J 1			C 319	GJ270141061599	E.CAPACITOR	25V SA M 10UF	
	C 3	GJ210131012499	CHIP CAPACITOR	1608 50V CH J 1			C 321	GJ270114770999	E.CAPACITOR	10V SMG M 470MF	
	C 4	GJ210135612499	CHIP CAPACITOR	1608 50V CH J			C 322	GJ270124760399	E.CAPACITOR	16V VX M 47UF	
	C 5	GJ264182232199	C.CAPACITOR	25V F Z 0.022UF			C 323	GJ270124760399	E.CAPACITOR	16V VX M 47UF	
	C 6	GJ214204732499	CHIP CAPACITOR	1608 16V B K 0			C 324	GJ270111073999	E.CAPACITOR	10V SR M 100MF	
	C 7	GJ214122232499	CHIP CAPACITOR	1608 50V F Z 0.			C 325	GJ270111073999	E.CAPACITOR	10V SR M 100MF	
	C 8	GJ214122232499	CHIP CAPACITOR	1608 50V F Z 0.			C 327	GJ270191060399	E.CAPACITOR	50V VX M 10MF	
	C 21	GJ264100332199	C.CAPACITOR	50V CH K 3.3PF			C 329	GJ270191050399	E.CAPACITOR	50V VX M 1MF	
	C 32	GJ210131202499	CHIP CAPACITOR	1608 50V CH J 1			C 330	GJ270191050399	E.CAPACITOR	50V VX M 1MF	
	C 35	GJ210131202499	CHIP CAPACITOR	1608 50V CH J			C 340	GJ270124760399	E.CAPACITOR	16V VX M 47UF	
	C 40	GJ270111070399	E.CAPACITOR	10V VX M 100MF		△	C 356	GJ270122281099	E.CAPACITOR	16V SMG M 2200M	
	C 41	GJ210131012499	CHIP CAPACITOR	1608 50V CH J 1			C 357	GJ283001042415	POLY CAPACITOR	50V AMZ J 0.1MF	
	C 44	GJ210132702499	CHIP CAPACITOR	1608 50V CH J 2			C 358	GJ283001042415	POLY CAPACITOR	50V AMZ J 0.1M	
	C 45	GJ282031052499	M.CAPACITOR	50V MMT J 1UF			C 359	GJ214011022499	CHIP CAPACITOR	1608 50V B K 10	
	C 46	GJ214013922499	CHIP CAPACITOR	1608 50V B K 3			C 360	GJ214011022499	CHIP CAPACITOR	1608 50V B K 1	
	C 47	GJ214001032499	CHIP CAPACITOR	1608 25V B K 10			C 456	GJ270191060399	E.CAPACITOR	50V VX M 10MF	
	C 48	GJ214008222499	CHIP CAPACITOR	1608 25V B K 82			C 458	GJ270191060399	E.CAPACITOR	50V VX M 10MF	
	C 49	GJ214008222499	CHIP CAPACITOR	1608 25V B K 82			C 702	GJ210131012499	CHIP CAPACITOR	1608 50V CH J	
	C 65	GJ214008222499	CHIP CAPACITOR	1608 25V B K 82			C 703	GJ214122232499	CHIP CAPACITOR	1608 50V F Z 0.	
	C 66	GJ214008222499	CHIP CAPACITOR	1608 25V B K 82			C 704	GJ214012222499	CHIP CAPACITOR	1608 50V B K 22	
	C 67	GJ214008222499	CHIP CAPACITOR	1608 25V B K 82			C 705	GJ214122232499	CHIP CAPACITOR	1608 50V F Z 0.	
	C 68	GJ214008222499	CHIP CAPACITOR	1608 25V B K 82			C 706	GJ214122232499	CHIP CAPACITOR	1608 50V F Z 0.	
	C 69	GJ214008222499	CHIP CAPACITOR	1608 25V B K 82			C 707	GJ210131002499	CHIP CAPACITOR	1608 50V CH J 1	
	C 70	GJ214008222499	CHIP CAPACITOR	1608 25V B K 82			C 708	GJ214122232499	CHIP CAPACITOR	1608 50V F Z 0.	
	C 72	GJ214011022499	CHIP CAPACITOR	1608 50V B K 10			C 709	GJ214122232499	CHIP CAPACITOR	1608 50V F Z 0.	
	C 73	GJ264141022199	C.CAPACITOR	50V B K 1000PF			C 710	GJ214008212499	CHIP CAPACITOR	1608 25V B K 82	
	C 74	GJ214011022499	CHIP CAPACITOR	1608 50V B K 10			C 711	GJ270191060399	E.CAPACITOR	50V VX M 10MF	
	C 76	GJ214011022499	CHIP CAPACITOR	1608 50V B K 10			C 712	GJ214011022499	CHIP CAPACITOR	1608 50V B K 10	
	C 80	GJ270124760399	E.CAPACITOR	16V VX M 47UF			C 714	GJ214122232499	CHIP CAPACITOR	1608 50V F Z 0.	
	C 94	GJ270111070399	E.CAPACITOR	10V VX M 100MF			C 715	GJ264191042199	C.CAPACITOR	50V F Z 0.1UF	
	C 96	GJ270111070399	E.CAPACITOR	10V VX M 100MF			C 717	GJ26426222199	C.CAPACITOR	16V X M 2200PF	
	C 99	GJ270191060399	E.CAPACITOR	50V VX M 10MF			C 719	GJ270111070399	E.CAPACITOR	10V VX M 100MF	
	C 102	GJ270194741599	E.CAPACITOR	50V SA M 0.47UF			C 720	GJ270111073999	E.CAPACITOR	10V SR M 100MF	
	C 103	GJ270192260399	E.CAPACITOR	50V VX M 22MF			C 721	GJ283004722415	POLY CAPACITOR	50V AMZ J 0.004	
	C 105	GJ210130302499	CHIP CAPACITOR	1608 50V CH J 3			C 722	GJ283001522415	POLY CAPACITOR	50V AMZ J 0.001	
	C 106	GJ214012722499	CHIP CAPACITOR	1608 50V B K 2			C 723	GJ283004732415	POLY CAPACITOR	50V AMZ J 0.047	
	C 107	GJ270192250399	E.CAPACITOR	50V VX M 2.2UF			C 724	GJ283003932415	POLY CAPACITOR	50V AMZ J 0.039	
	C 108	GJ270192250399	E.CAPACITOR	50V VX M 2.2UF			C 725	GJ283004732415	POLY CAPACITOR	50V AMZ J 0.047	
	C 110	GJ264144712199	C.CAPACITOR	50V B K 470PF			C 726	GJ270124760399	E.CAPACITOR	16V VX M 47UF	
	C 111	GJ210131202499	CHIP CAPACITOR	1608 50V CH J 1			C 727	GJ270112270999	E.CAPACITOR	SMG M 220MF	
	C 113	GJ214122232499	CHIP CAPACITOR	1608 50V F Z 0.			C 728	GJ264144712199	C.CAPACITOR	50V B K 470PF	
	C 114	GJ214122232499	CHIP CAPACITOR	1608 50V F Z 0.			C 729	GJ282031542499	M.CAPACITOR	50V MMT J 0.15U	
	C 115	GJ214011022499	CHIP CAPACITOR	1608 50V B K 10			C 730	GJ282033342499	M.CAPACITOR	50V MMT J 0.33U	
	C 116	GJ214011022499	CHIP CAPACITOR	1608 50V B K 10			C 731	GJ283002232415	POLY CAPACITOR	50V AMZ J 0.022	
	C 117	GJ210131012499	CHIP CAPACITOR	1608 50V CH J 1			C 732	GJ214201042499	CHIP CAPACITOR	1608 16V B K 0	
	C 118	GJ210131012499	CHIP CAPACITOR	1608 50V CH J 1			C 733	GJ214201042499	CHIP CAPACITOR	1608 16V B K 0	
	C 119	GJ210131012499	CHIP CAPACITOR	1608 50V CH J			C 733	GJ264191042199	C.CAPACITOR	50V F Z 0.1UF	
	C 121	GJ270194751599	E.CAPACITOR	50V SA M 4.7UF			C 734	GJ214201042499	CHIP CAPACITOR	1608 16V B K 0	
	C 122	GJ210131002499	CHIP CAPACITOR	1608 50V CH J 1			C 736	GJ264191042199	C.CAPACITOR	50V F Z 0.1UF	
	C 123	GJ285214312415	POLY CAPACITOR	100V ECQP J 430			C 737	GJ210131202499	CHIP CAPACITOR	1608 50V CH J 1	
	C 124	GJ283001232415	POLY CAPACITOR	50V AMZ J 0.012			C 738	GJ210131202499	CHIP CAPACITOR	1608 50V CH J 1	
	C 125	GJ283001232415	POLY CAPACITOR	50V AMZ J 0.012			C 740	GJ270112270999	E.CAPACITOR	SMG M 220MF	
	C 126	GJ270192240399	E.CAPACITOR	50V VX M 0.22MF			C 741	GJ270112270999	E.CAPACITOR	SMG M 220MF	
	C 127	GJ270193350399	E.CAPACITOR	50V VX M 3.3MF			C 742	GJ270112270999	E.CAPACITOR	SMG M 220MF	
	C 305	GJ270122261599	E.CAPACITOR	16V SA M 22UF			C 743	GJ264033302199	C.CAPACITOR	50V SL J 33PF	
	C 310	GJ270194751599	E.CAPACITOR	50V SA M 4.7UF			C 744	GJ282031042499	M.CAPACITOR	50V MMT J 0.1UF	
	C 311	GJ270111080899	E.CAPACITOR	10V SMG M 1000U			C 745	GJ264182232199	C.CAPACITOR	25V F Z 0.022UF	
	C 312	GJ270111080899	E.CAPACITOR	10V SMG M 1000U			C 746	GJ214011022499	CHIP CAPACITOR	1608 50V B K 10	
	C 313	GJ264271032199	C.CAPACITOR	16V Y M 0.01UF			C 747	GJ214011022499	CHIP CAPACITOR	1608 50V B K 1	
	C 315	GJ264141022199	C.CAPACITOR	50V B K 1000PF			C 748	GJ26426222199	C.CAPACITOR	16V X M 2200PF	

## ■ Electrical parts list (Main board)

Block No. 01

△	Item	Parts number	Parts name	Remarks	Area	△	Item	Parts number	Parts name	Remarks	Area
	C 749	GJ282033342499	M.CAPACITOR	50V MMT J 0.33			D 13	GJ310050250103	VARIABLE DIODE	VCR-KV1555NT	
	C 752	GJ270114770999	E.CAPACITOR	10V SMG M 470MF			D 13	GJ310050040103	VARIABLE DIODE	KV1555N-T	
	C 753	GJ210131012499	CHIP CAPACITOR	1608 50V CH J 1			D 303	GJ310010220205	DIODE	1SS133T-77	
	C 754	GJ210131012499	CHIP CAPACITOR	1608 50V CH J 1			D 306	GJ310010220205	DIODE	1SS133T-77	
	C 755	GJ210131012499	CHIP CAPACITOR	1608 50V CH J 1			D 307	GJ310010220205	DIODE	1SS133T-77	
	C 756	GJ210131012499	CHIP CAPACITOR	1608 50V CH J			D 308	GJ310010220205	DIODE	1SS133T-77	
	C 757	GJ270111070399	E.CAPACITOR	10V VX M 100MF			D 310	GJ310020020104	DIODE	1N4001	
	C 758	GJ270112270999	E.CAPACITOR	10V SMG M 220MF			D 701	GJ310010220205	DIODE	1SS133T-77	
	C 759	GJ270141061599	E.CAPACITOR	25V SA M 10UF			D 702	GJ310010220205	DIODE	1SS133T-77	
	C 761	GJ214003312499	CHIP CAPACITOR	1608 25V B K 33			D 703	GJ310010220205	DIODE	1SS133T-77	
	C 764	GJ214008222499	CHIP CAPACITOR	1608 25V B K 82			D 704	GJ686062350000	B. WIRE		
	C 765	GJ270191050399	E CAPACITOR	50V VX M 1MF			D 705	GJ310010220205	DIODE	1SS133T-77	
	C 766	GJ270191050399	E CAPACITOR	50V VX M 1MF			D 801	GJ310010220205	DIODE	1SS133T-77	
	C 801	GJ214008222499	CHIP CAPACITOR	1608 25V B K 8			D 802	GJ310010220205	DIODE	1SS133T-77	
	C 802	GJ214008222499	CHIP CAPACITOR	1608 25V B K 82			D 803	GJ310010220205	DIODE	1SS133T-77	
	C 803	GJ214008222499	CHIP CAPACITOR	1608 25V B K 82			D 804	GJ310010220205	DIODE	1SS133T-77	
	C 804	GJ214008222499	CHIP CAPACITOR	1608 25V B K 82			D 805	GJ310010220205	DIODE	1SS133T-77	
	C 805	GJ264033302199	C.CAPACITOR	50V SL J 33PF			D 806	GJ310010220205	DIODE	1SS133T-77	
	C 806	GJ264033302199	C.CAPACITOR	50V SL J 33PF			D 807	GJ310010220205	DIODE	1SS133T-77	
	C 807	GJ210133302499	CHIP CAPACITOR	1608 50V CH J			D 809	GJ310010220205	DIODE	1SS133T-77	
	C 808	GJ210133302499	CHIP CAPACITOR	1608 50V CH J			D 811	GJ310010220205	DIODE	1SS133T-77	
	C 809	GJ210132702499	CHIP CAPACITOR	1608 50V CH J			D 812	GJ310010220205	DIODE	1SS133T-77	
	C 810	GJ210132702499	CHIP CAPACITOR	1608 50V CH J 2			D 813	GJ310010220205	DIODE	1SS133T-77	
	C 811	GJ214008222499	CHIP CAPACITOR	1608 25V B K 8			△ F 301	GJ369000600009	FUSE	1.6A 250V	
	C 812	GJ214008222499	CHIP CAPACITOR	1608 25V B K 82			FB701	GJ371010080003	FERRITE	R0655-BB39-833	
	C 813	GJ214008222499	CHIP CAPACITOR	1608 25V B K 82			FHOLD	GJ153321741	FUSE HOLDER		
	C 814	GJ270191050399	E CAPACITOR	50V VX M 1MF			FHOLD	GJ153321712	FUSE HOLDER		
	C 815	GJ270111070399	E.CAPACITOR	10V VX M 100MF			FMANT	GJ737000010001	PIN CONNECTOR	RT-01T-1.3B	
	C 816	GJ214008222499	CHIP CAPACITOR	1608 25V B K 8			HP301	GJ342010200113	H/P JACK	D=3.5MM MSJ-200	
	C 817	GJ214008222499	CHIP CAPACITOR	1608 25V B K 8			IC 4	GJ313070221000	IC	LC72136 PLL IC	
	C 818	GJ214008222499	CHIP CAPACITOR	1608 25V B K 8			IC 5	GJ313011361106	IC	LA1823	
	C 819	GJ270124760399	E.CAPACITOR	16V VX M 47UF			△ IC302	GJ313080031101	IC	TA8227P	
	C 820	GJ214008222499	CHIP CAPACITOR	1608 25V B K 82			IC701	GJ313060841223	IC	N662748RPMFA	
	C 821	GJ270112270999	E.CAPACITOR	SMG M 220MF			IC702	GJ313020851323	IC	AN22000A	
	C 822	GJ270124760399	E.CAPACITOR	16V VX M 47UF			IC703	GJ313060281206	IC	BA6897FP	
	C 823	GJ264271032199	C.CAPACITOR	16V Y M 0.01UF			IC704	GJ313080291401	IC	TA8409S	
	C 824	GJ264271032199	C.CAPACITOR	16V Y M 0.01UF			IC801	GJ313020851223	IC	MN101C38CYD	
	C 825	GJ270191060399	E.CAPACITOR	50V VX M 10MF			IC802	GJ313070941702	IC	UPC78L05J	
	C 827	GJ270192260399	E CAPACITOR	RD-T7GN			IC803	GJ313041011406	IC	RD-T7GN	
	CF 4	GJ360000590008	CER FILTER	10.7MHZ SK107M2			JW 44	GJ200950002499	CHIP RESISTOR	1608 1/16W J 0	
	CF 5	GJ360000590008	CER FILTER	10.7MHZ SK107M2			JW324	GJ200950002499	CHIP RESISTOR	1608 1/16W J 0	
	CF 6	GJ360040020008	FILTER	DISCRIMINATOR			JW341	GJ200950002499	CHIP RESISTOR	1608 1/16W J 0	
	CN301	GJ345201040101	CONNECTOR	4PIN P=2MM			JW342	GJ200950002499	CHIP RESISTOR	1608 1/16W J 0	
	CN302	GJ345251030101	CONNECTOR	3PIN P=2.5MM			JW732	GJ200950002499	CHIP RESISTOR	1608 1/16W J 0	
	△ CN303	GJ345251040101	CONNECTOR	4PIN 1/2			JW739	GJ200950002499	CHIP RESISTOR	1608 1/16W J 0	
	CN303	GJ354304670205	CONNECTOR	4PIN 2/2			JW740	GJ200950002499	CHIP RESISTOR	1608 1/16W J 0	
	CN701	GJ340121150102	CONNECTOR	FFC/FPC 15PIN P			JW744	GJ200950002499	CHIP RESISTOR	1608 1/16W J 0	
	CN702	GJ347201100001	CONNECTOR	P=2MM 10PIN CN			JW746	GJ200950002499	CHIP RESISTOR	1608 1/16W J 0	
	CN708	GJ345202020101	CONNECTOR	2PIN P=2MM			JW837	GJ200950002499	CHIP RESISTOR	1608 1/16W J 0	
	CN801	GJ340022130102	CONNECTOR	FFC/FPC 13PIN			JW838	GJ200950002499	CHIP RESISTOR	1608 1/16W J 0	
	CN801	GJ340021130102	CONNECTOR				JW841	GJ200950002499	CHIP RESISTOR	1608 1/16W J 0	
	CN802	GJ340021280102	CONNECTOR	RD-T7GN 1/2			JW842	GJ200950002499	CHIP RESISTOR	1608 1/16W J 0	
	CN802	GJ340022240102	CONNECTOR	RD-T5BU 2/2			L 1	GJ241112212102	INDUCTOR	220UH K CNSS-2	
	CN802	GJ340022280102	CONNECTOR	RD-T7GN 2/2			L 3	GJ241111012102	INDUCTOR	10UH K CNSS-10	
	CN802	GJ340021240102	CONNECTOR	RD-T5BU 2/1			L 11	GJ320020620105	COIL	FM RF	
	CN804	GJ345201070101	CONNECTOR	7PIN P=2MM			L 14	GJ320020610105	COIL	FM RF	
	CT 1	GJ288000080002	TRIMMER CAPA.	20PF			L 15	GJ241111012102	INDUCTOR	10UH K CNSS-10	
	D 1	GJ310010220205	DIODE	1SS133T-77			L 16	GJ321000120104	IFT	AM OSC 7.5MM RE	
	D 5	GJ310010220205	DIODE	1SS133T-77			L 17	GJ783100600804	BAR ANTENNA	10X60MM W/AM CO	
	D 6	GJ310010220205	DIODE	1SS133T-77			L 301	GJ241111012102	INDUCTOR	10UH K CNSS-10	
	D 10	GJ310010220205	DIODE	1SS133T-77			L 302	GJ241111012102	INDUCTOR	10UH K CNSS-10	
	D 11	GJ310050200203	DIODE	KV1370NT			L 303	GJ241112292102	INDUCTOR	2.2UH K CNSS-2	
	D 12	GJ310050200203	DIODE	KV1370NT			L 701	GJ241111002102	INDUCTOR	10UH K CNSS-10	

## ■ Electrical parts list (Main board)

Block No. 01

△	Item	Parts number	Parts name	Remarks	Area	△	Item	Parts number	Parts name	Remarks	Area
	L 702	GJ241111002102	INDUCTOR	10UH K CNSS-10			R 87	GJ200951042499	CHIP RESISTOR	1608 1/16W J 10	
	LC 2	GJ360010130016	B.P.FILTER	VBP1M3B-			R 88	GJ200951042499	CHIP RESISTOR	1608 1/16W J 10	
	LCD81	GJ373010390510	LCD DISPLAY	DISPLAY			R 89	GJ200951042499	CHIP RESISTOR	1608 1/16W J 10	
	LED81	GJ374303021111	LED	RD-T7GN			R 90	GJ200951042499	CHIP RESISTOR	1608 1/16W J 10	
	LED83	GJ871998985	LED	SLR-342VR3FM.N			R 91	GJ200952732499	CHIP RESISTOR	1608 1/16W J 27	
	Q 7	GJ312010162201	TRANSISTOR	2SC1923-0			R 92	GJ200952732499	CHIP RESISTOR	1608 1/16W J 27	
	Q 13	GJ312011191210	TRANSISTOR	KRA107M-AT			R 97	GJ200952202499	CHIP RESISTOR	1608 1/16W J 22	
	Q 15	GJ312030152210	TRANSISTOR	KTC3195Y			R 99	GJ200951002499	CHIP RESISTOR	1608 1/16W J 10	
	Q 303	GJ312010941203	TRANSISTOR	2SD1781KQ			R 100	GJ200951012499	CHIP RESISTOR	1608 1/16W J 10	
	Q 304	GJ312010941203	TRANSISTOR	2SD1781KQ			R 101	GJ200951012499	CHIP RESISTOR	1608 1/16W J 10	
△	Q 305	GJ312011251210	TRANSISTOR	KTA1273Y			R 102	GJ200951012499	CHIP RESISTOR	1608 1/16W J 10	
△	Q 307	GJ312011231210	TRANSISTOR	KTA1267Y			R 103	GJ200951012499	CHIP RESISTOR	1608 1/16W J 10	
△	Q 308	GJ312011251210	TRANSISTOR	KTA1273Y			R 104	GJ200951222499	CHIP RESISTOR	1608 1/16W J 1.	
	Q 309	GJ312020035201	TRANSISTOR	2SC2458TP-YGR			R 307	GJ250035622199	CARBON RESISTOR	1/4WM J 5.6K	
	Q 310	GJ312020035201	TRANSISTOR	2SC2458TP-YGR			R 308	GJ250038212199	CARBON RESISTOR	1/4WM J 820	
	Q 311	GJ312011261210	TRANSISTOR	KRC102M-AT			R 309	GJ250035622199	CARBON RESISTOR	1/4WM J 5.6K	
	Q 313	GJ312011261210	TRANSISTOR	KRC102M-AT			R 316	GJ200951032499	CHIP RESISTOR	1608 1/16W J 10	
	Q 701	GJ312011231210	TRANSISTOR	KTA1267Y			R 317	GJ200951032499	CHIP RESISTOR	1608 1/16W J 310	
	Q 703	GJ312090104202	TRANSISTOR	2SA-952TP-K1K2			R 320	GJ200954722499	CHIP RESISTOR	1608 1/16W J 4.	
	Q 704	GJ302010054203	TRANSISTOR	2SC2412K-T-146-			R 321	GJ200954722499	CHIP RESISTOR	1608 1/16W J 4.	
	Q 705	GJ302010401203	TRANSISTOR	DTC143TKA-T146			R 322	GJ200952212499	CHIP RESISTOR	1608 1/16W J 22	
	Q 706	GJ302010054203	TRANSISTOR	2SC2412K-T-146-			R 323	GJ200952212499	CHIP RESISTOR	1608 1/16W J 22	
	Q 801	GJ312020035201	TRANSISTOR	2SC2458TP-YGR			R 324	GJ200956802499	CHIP RESISTOR	1608 1/16W J 68	
	Q 802	GJ312020035201	TRANSISTOR	2SC2458TP-YGR			R 325	GJ200956802499	CHIP RESISTOR	1608 1/16W J 68	
	Q 803	GJ312011211210	TRANSISTOR	KRC107M			R 329	GJ250032202199	CARBON RESISTOR	RD-T7GN	
	Q 804	GJ312010862210	TRANSISTOR	KTA1266-Y-AT			R 333	GJ250031022199	CARBON RESISTOR	1/4WM J 1K	
	Q 805	GJ312011211210	TRANSISTOR	KRC107M			R 336	GJ200951012499	CHIP RESISTOR	1608 1/16W J 10	
	Q 806	GJ312020161203	TRANSISTOR	2SC2410S-TPN			R 337	GJ250031022199	CARBON RESISTOR	1/4WM J 1K	
	Q 807	GJ312020161203	TRANSISTOR	2SC2410S-TPN			R 338	GJ250031022199	CARBON RESISTOR	1/4WM J 1K	
	Q 808	GJ312020035201	TRANSISTOR	RD-T7GN			R 339	GJ250034722199	CARBON RESISTOR	1/4WM J 4.7K	
	R 1	GJ200951532499	CHIP RESISTOR	1608 1/16W J 15			R 341	GJ200953322499	CHIP RESISTOR	1608 1/16W J 3.	
	R 2	GJ250033902199	CARBON RESISTOR	1/4WM J 39			R 342	GJ250035632199	CARBON RESISTOR	1/4WM J 56K	
	R 3	GJ250038202199	CHIP RESISTOR	1/4WM J 82			R 415	GJ250032222199	CHIP RESISTOR	RD-T7GN	
	R 4	GJ250032202199	CARBON RESISTOR	1/4WM J 22			R 416	GJ250032222199	CHIP RESISTOR	RD-T7GN	
	R 5	GJ200951042499	CHIP RESISTOR	1608 1/16W J 10			R 451	GJ200954732499	CHIP RESISTOR	1608 1/16W J 47	
	R 27	GJ200951022499	CHIP RESISTOR	1608 1/16W J 1K			R 452	GJ200954732499	CHIP RESISTOR	1608 1/16W J 47	
	R 28	GJ200951022499	CHIP RESISTOR	1608 1/16W J 1K			R 465	GJ200952222499	CHIP RESISTOR	1608 1/16W J 2.	
	R 29	GJ250031022199	CARBON RESISTOR	1/4WM J 1K			R 701	GJ200952742499	CHIP RESISTOR	1608 1/16W J 27	
	R 30	GJ200951022499	CHIP RESISTOR	1608 1/16W J 1K			R 702	GJ200952242499	CHIP RESISTOR	1608 1/16W J 22	
	R 31	GJ200951022499	CHIP RESISTOR	1608 1/16W J 1K			R 703	GJ200951042499	CHIP RESISTOR	1608 1/16W J 10	
	R 32	GJ200951022499	CHIP RESISTOR	1608 1/16W J 1K			R 704	GJ250033932199	CARBON RESISTOR	1/4WM J 39K	
	R 33	GJ200951022499	CHIP RESISTOR	1608 1/16W J 1K			R 705	GJ200954742499	CHIP RESISTOR	1608 1/16W J 47	
	R 34	GJ200951022499	CHIP RESISTOR	1608 1/16W J 1K			R 706	GJ200950002499	CHIP RESISTOR	1608 1/16W J 0	
	R 35	GJ200951022499	CHIP RESISTOR	1608 1/16W J 1K			R 707	GJ200952232499	CHIP RESISTOR	1608 1/16W J 22	
	R 38	GJ200954732499	CHIP RESISTOR	1608 1/16W J 47			R 708	GJ200952232499	CHIP RESISTOR	1608 1/16W J 22	
	R 40	GJ200954732499	CHIP RESISTOR	1608 1/16W J 47			R 709	GJ200951002499	CHIP RESISTOR	1608 1/16W J 10	
	R 41	GJ200954732499	CHIP RESISTOR	1608 1/16W J 47			R 710	GJ200954792499	CHIP RESISTOR	1608 1/16W J 4	
	R 43	GJ200954732499	CHIP RESISTOR	1608 1/16W J 47			R 711	GJ686062350000	B. WIRE		
	R 44	GJ200954732499	CHIP RESISTOR	1608 1/16W J 47			R 712	GJ250031202199	CARBON RESISTOR	1/4WM J 12	
	R 45	GJ200953312499	CHIP RESISTOR	1608 1/16W J 33			R 713	GJ200952232499	CHIP RESISTOR	1608 1/16W J 22	
	R 46	GJ200953312499	CHIP RESISTOR	1608 1/16W J 33			R 714	GJ250033322199	CARBON RESISTOR	1/4WM J 3.3K	
	R 47	GJ200953312499	CHIP RESISTOR	1608 1/16W J 33			R 715	GJ200953322499	CHIP RESISTOR	1608 1/16W J 3	
	R 48	GJ200951822499	CHIP RESISTOR	1608 1/16W J 1.			R 716	GJ200951542499	CHIP RESISTOR	1608 1/16W J 15	
	R 49	GJ200954722499	CHIP RESISTOR	1608 1/16W J 4.			R 717	GJ200952222499	CHIP RESISTOR	1608 1/16W J 2.	
	R 50	GJ200954722499	CHIP RESISTOR	1608 1/16W J 4.			R 718	GJ200952222499	CHIP RESISTOR	1608 1/16W J 2.	
	R 71	GJ200954722499	CHIP RESISTOR	1608 1/16W J 4.			R 719	GJ200951022499	CHIP RESISTOR	1608 1/16W J 1K	
	R 72	GJ200953322499	CHIP RESISTOR	1608 1/16W J 3.			R 720	GJ200950002499	CHIP RESISTOR	1608 1/16W J 0	
	R 73	GJ200953322499	CHIP RESISTOR	1608 1/16W J 3.			R 721	GJ200950002499	CHIP RESISTOR	1608 1/16W J 0	
	R 81	GJ200955622499	CHIP RESISTOR	1608 1/16W J 5.			R 722	GJ200951022499	CHIP RESISTOR	1608 1/16W J 1K	
	R 82	GJ200955622499	CHIP RESISTOR	1608 1/16W J 5.			R 723	GJ200951022499	CHIP RESISTOR	1608 1/16W J 1K	
	R 83	GJ200954742499	CHIP RESISTOR	1608 1/16W J 47			R 724	GJ200951022499	CHIP RESISTOR	1608 1/16W J 1K	
	R 85	GJ200955602499	CHIP RESISTOR	1608 1/16W J 56			R 725	GJ200953932499	CHIP RESISTOR	1608 1/16W J 39	
	R 86	GJ200952242499	CHIP RESISTOR	1608 1/16W J 22			R 726	GJ200950002499	CHIP RESISTOR	1608 1/16W J 0	

## ■ Electrical parts list (Main bord)

Block No. 01

△	Item	Parts number	Parts name	Remarks	Area	△	Item	Parts number	Parts name	Remarks	Area
	R 728	GJ250031032199	CARBON RESISTOR	1/4WM J 10K			R 829	GJ200951022499	CHIP RESISTOR	1608 1/16W J 1K	
	R 729	GJ200951032499	CHIP RESISTOR	1608 1/16W J 1			R 830	GJ20095222499	CHIP RESISTOR	1608 1/16W J 2.	
	R 737	GJ200956832499	CHIP RESISTOR	1608 1/16W J 68			R 831	GJ200954732499	CHIP RESISTOR	1608 1/16W J 47	
	R 738	GJ250031242199	CARBON RESISTOR	1/4WM J 120K			R 832	GJ200954722499	CHIP RESISTOR	1608 1/16W J 4.	
	R 739	GJ200956832499	CHIP RESISTOR	1608 1/16W J 68			R 833	GJ200954732499	CHIP RESISTOR	1608 1/16W J 47	
	R 740	GJ200953312499	CHIP RESISTOR	1608 1/16W J 33			R 834	GJ200951022499	CHIP RESISTOR	1608 1/16W J 1K	
	R 741	GJ200955622499	CHIP RESISTOR	1608 1/16W J 5.			R 835	GJ200951032499	CHIP RESISTOR	1608 1/16W J 10	
	R 742	GJ200952712499	CHIP RESISTOR	1608 1/16W J 27			R 836	GJ20095222499	CHIP RESISTOR	1608 1/16W J 2.	
	R 743	GJ200952212499	CHIP RESISTOR	1608 1/16W J 22			R 837	GJ200951022499	CHIP RESISTOR	1608 1/16W J 1K	
	R 744	GJ200958222499	CHIP RESISTOR	1608 1/16W J 8.			R 838	GJ200951022499	CHIP RESISTOR	1608 1/16W J 1K	
	R 745	GJ200958222499	CHIP RESISTOR	1608 1/16W J 8.			R 839	GJ20095222499	CHIP RESISTOR	RD-T7GN	
	R 746	GJ200958222499	CHIP RESISTOR	1608 1/16W J 8.			R 840	GJ200951022499	CHIP RESISTOR	1608 1/16W J 1K	
	R 747	GJ200951002499	CHIP RESISTOR	1608 1/16W J 10			R 841	GJ200951032499	CHIP RESISTOR	1608 1/16W J 10	
	R 748	GJ200956822499	CHIP RESISTOR	1608 1/16W J 6.			R 843	GJ20095222499	CHIP RESISTOR	1608 1/16W J 2.	
	R 749	GJ200956822499	CHIP RESISTOR	1608 1/16W J 6.			R 844	GJ200951822499	CHIP RESISTOR	1608 1/16W J 1.	
	R 750	GJ200953942499	CHIP RESISTOR	1608 1/16W J 3			R 846	GJ200951022499	CHIP RESISTOR	1608 1/16W J 1K	
	R 751	GJ200950002499	CHIP RESISTOR	1608 1/16W J 0			R 847	GJ20095222499	CHIP RESISTOR	1608 1/16W J 2.	
	R 752	GJ200950002499	CHIP RESISTOR	1608 1/16W J 0			R 848	GJ200951032499	CHIP RESISTOR	1608 1/16W J 10	
	R 753	GJ200950002499	CHIP RESISTOR	1608 1/16W J 0			R 849	GJ20095222499	CHIP RESISTOR	1608 1/16W J 2.	
	R 756	GJ200953922499	CHIP RESISTOR	1608 1/16W J 3.			R 850	GJ200951032499	CHIP RESISTOR	1608 1/16W J 10	
	R 757	GJ200952722499	CHIP RESISTOR	1608 1/16W J 2.			R 851	GJ200954732499	CHIP RESISTOR	1608 1/16W J 47	
	R 758	GJ200951212499	CHIP RESISTOR	1608 1/16W J 1			R 852	GJ200951032499	CHIP RESISTOR	RD-T7GN	
	R 759	GJ200955632499	CHIP RESISTOR	1608 1/16W J 56			R 853	GJ200951022499	CHIP RESISTOR	1608 1/16W J 1K	
	R 760	GJ200951232499	CHIP RESISTOR	1608 1/16W J 1			R 854	GJ200951222499	CHIP RESISTOR	1608 1/16W J 1.	
	R 761	GJ200953312499	CHIP RESISTOR	1608 1/16W J 33			R 855	GJ200951022499	CHIP RESISTOR	1608 1/16W J 1K	
	R 763	GJ200951012499	CHIP RESISTOR	1608 1/16W J 10			R 856	GJ200951022499	CHIP RESISTOR	1608 1/16W J 1K	
	R 764	GJ250031512199	RESISTOR	1/4WM J 150			R 857	GJ200951022499	CHIP RESISTOR	1608 1/16W J 1K	
	R 765	GJ200953912499	CHIP RESISTOR	1608 1/16W J 39			R 858	GJ200951022499	CHIP RESISTOR	1608 1/16W J 1K	
	R 766	GJ250033922199	CARBON RESISTOR	1/4WM J 3.9K			R 859	GJ200951022499	CHIP RESISTOR	1608 1/16W J 1K	
	R 767	GJ200953392499	CHIP RESISTOR	1608 1/16W J 3.			R 860	GJ200954712499	CHIP RESISTOR	1608 1/16W J 47	
	R 768	GJ200955622499	CHIP RESISTOR	1608 1/16W J 5.			R 861	GJ200952212499	CHIP RESISTOR	1608 1/16W J 22	
	R 769	GJ200952222499	CHIP RESISTOR	1608 1/16W J 2.			R 862	GJ200951022499	CHIP RESISTOR	1608 1/16W J 1K	
	R 770	GJ200954722499	CHIP RESISTOR	1608 1/16W J 4.			R 863	GJ200951022499	CHIP RESISTOR	1608 1/16W J 1K	
	R 771	GJ200952292499	CHIP RESISTOR	1608 1/16W J 2.			R 864	GJ200951022499	CHIP RESISTOR	1608 1/16W J 1K	
	R 772	GJ250033332199	CARBON RESISTOR	1/4WM J 33K			R 865	GJ200951022499	CHIP RESISTOR	1608 1/16W J 1K	
	R 773	GJ200953332499	CHIP RESISTOR	1608 1/16W J 33			R 866	GJ200951022499	CHIP RESISTOR	1608 1/16W J 1K	
	R 774	GJ200956232499	CHIP RESISTOR	1608 1/16W J 62			R 867	GJ200951022499	CHIP RESISTOR	1608 1/16W J 1K	
	R 801	GJ200951032499	CHIP RESISTOR	1608 1/16W J 10			R 868	GJ200951022499	CHIP RESISTOR	1608 1/16W J 1K	
	R 802	GJ200951032499	CHIP RESISTOR	1608 1/16W J 10			R 869	GJ200951022499	CHIP RESISTOR	1608 1/16W J 1K	
	R 803	GJ200951032499	CHIP RESISTOR	1608 1/16W J 10			R 870	GJ200954732499	CHIP RESISTOR	1608 1/16W J 47	
	R 804	GJ200951032499	CHIP RESISTOR	1608 1/16W J 10			R 871	GJ200954732499	CHIP RESISTOR	1608 1/16W J 47	
	R 805	GJ200951022499	CHIP RESISTOR	1608 1/16W J 1K			R 872	GJ200951002499	CHIP RESISTOR	1608 1/16W J 10	
	R 806	GJ200951022499	CHIP RESISTOR	1608 1/16W J 1K			R 873	GJ200951032499	CHIP RESISTOR	1608 1/16W J 10	
	R 807	GJ200951022499	CHIP RESISTOR	1608 1/16W J 1K			R 874	GJ250031032199	CARBON RESISTOR	1/4WM J 10K	
	R 808	GJ200951022499	CHIP RESISTOR	1608 1/16W J 1K			R 875	GJ200951032499	CHIP RESISTOR	1608 1/16W J 10	
	R 809	GJ200951032499	CHIP RESISTOR	1608 1/16W J 10			R 876	GJ200956812499	CHIP RESISTOR	1608 1/16W J 68	
	R 810	GJ200951032499	CHIP RESISTOR	1608 1/16W J 10			R 877	GJ200956812499	CHIP RESISTOR	1608 1/16W J 6	
	R 811	GJ200952222499	CHIP RESISTOR	1608 1/16W J 2.			R 878	GJ200958212499	CHIP RESISTOR	1608 1/16W J 82	
	R 812	GJ200952222499	CHIP RESISTOR	1608 1/16W J 2.			R 879	GJ200951022499	CHIP RESISTOR	1608 1/16W J 1	
	R 813	GJ200952222499	CHIP RESISTOR	1608 1/16W J 2.			R 880	GJ200951522499	CHIP RESISTOR	1608 1/16W J 1.	
	R 814	GJ200952222499	CHIP RESISTOR	1608 1/16W J 2.			R 881	GJ200952232499	CHIP RESISTOR	RD-T7GN	
	R 815	GJ250034722199	CARBON RESISTOR	1/4WM J 4.7K			R 882	GJ200956812499	CHIP RESISTOR	1608 1/16W J 68	
	R 816	GJ250034722199	CARBON RESISTOR	1/4WM J 4.7K			R 883	GJ200956812499	CHIP RESISTOR	1608 1/16W J 68	
	R 817	GJ250034722199	CARBON RESISTOR	1/4WM J 4.7K			R 884	GJ200958212499	CHIP RESISTOR	1608 1/16W J 82	
	R 818	GJ250034722199	CARBON RESISTOR	1/4WM J 4.7K			R 885	GJ200951022499	CHIP RESISTOR	1608 1/16W J 1	
	R 820	GJ200954732499	CHIP RESISTOR	1608 1/16W J 47			R 886	GJ200951522499	CHIP RESISTOR	1608 1/16W J 1.	
	R 822	GJ200951022499	CHIP RESISTOR	1608 1/16W J 1K			R 887	GJ200952222499	CHIP RESISTOR	1608 1/16W J 2.	
	R 823	GJ200951022499	CHIP RESISTOR	1608 1/16W J 1K			R 888	GJ200952722499	CHIP RESISTOR	1608 1/16W J 2.	
	R 824	GJ200951022499	CHIP RESISTOR	1608 1/16W J 1K			R 889	GJ200951032499	CHIP RESISTOR	1608 1/16W J 10	
	R 825	GJ200954732499	CHIP RESISTOR	1608 1/16W J 47			R 890	GJ200952732499	CHIP RESISTOR	1608 1/16W J 27	
	R 826	GJ200951022499	CHIP RESISTOR	1608 1/16W J 1K			R 891	GJ250031012199	CHIP RESISTOR	RD-T7GN	
	R 827	GJ200951022499	CHIP RESISTOR	1608 1/16W J 1K			R 892	GJ250031042199	CHIP RESISTOR	RD-T7GN	
	R 828	GJ200951022499	CHIP RESISTOR	1608 1/16W J 1K			R 893	GJ250038202199	CHIP RESISTOR	RD-T7GN	



## ■ Electrical parts list (Main board)

Block No. 01

△	Item	Parts number	Parts name	Remarks	Area
	R 894	GJ200952222499	CHIP RESISTOR	1608 1/16W J 2.	
	R 896	GJ200952232499	CHIP RESISTOR	1608 1/16W J 22	
	R 897	GJ200951022499	CHIP RESISTOR	1608 1/16W J 1K	
	R 902	GJ200951032499	CHIP RESISTOR	1608 1/16W J 10	
	R 903	GJ250032292199	CARBON RESISTOR	RD-T7GN	
	R 905	GJ250031012199	CHIP RESISTOR	RD-T7GN	
	R 906	GJ255058202199	FUSE RESISTOR	82 1/4W	
	S 701	GJ390070031204	DOUBLE SWING	SWITCH R8130178	
	S 801	GJ390110281108	TACT SWITCH	SKQNR	
	S 802	GJ390110281108	TACT SWITCH	SKQNR	
	S 803	GJ390110281108	TACT SWITCH	SKQNR	
	S 804	GJ390110281108	TACT SWITCH	SKQNR	
	S 805	GJ390110281108	TACT SWITCH	SKQNR	
	S 806	GJ390110281108	TACT SWITCH	SKQNR	
	S 807	GJ390110281108	TACT SWITCH	SKQNR	
	S 808	GJ390110281108	TACT SWITCH	SKQNR	
	S 809	GJ390110281108	TACT SWITCH	SKQNR	
	S 810	GJ390110281108	TACT SWITCH	SKQNR	
	S 811	GJ390110281108	TACT SWITCH	SKQNR	
	S 812	GJ390110281108	TACT SWITCH	SKQNR	
	S 813	GJ390110281108	TACT SWITCH	SKQNR	
	S 814	GJ390110281108	TACT SWITCH	RD-T7GN	
	S 815	GJ390110281108	TACT SWITCH	SKQNR	
	T 2	GJ321000720109	IFT	PCFAZ-HY-AC009	
	VR801	GJ299000610008	V.RESISTOR	RE160-40E3-15A-	
	X 3	GJ361000360013	CRYSTAL	75KHZ 12.5PF +-	
	X 701	GJ362000350010	RESONATOR	C08-16M934C052	
	X 801	GJ361000370013	CRYSTAL	D38-32.7680KHZ	
	X 802	GJ178159811	CER RESONATOR	CSA8.00 MTZ 200	
	ZD302	GJ310030011405	ZENER DIODE	MTZ-J-T-77-5.1B	

## ■ Electrical parts list (AHB board)

Block No. 02

△	Item	Parts number	Parts name	Remarks	Area
	C 401	GJ270192260399	E.CAPACITOR	RD-T7GN	
	C 402	GJ270192260399	E.CAPACITOR	RD-T7GN	
	C 403	GJ270111070399	E.CAPACITOR	RD-T7GN	
	C 404	GJ270111070399	E.CAPACITOR	RD-T7GN	
	C 405	GJ270194750399	E.CAPACITOR	RD-T7GN	
	C 406	GJ270191050399	E.CAPACITOR	RD-T7GN	
	C 407	GJ270191050399	E.CAPACITOR	RD-T7GN	
	C 408	GJ264271032199	C.CAPACITOR	RD-T7GN	
	C 409	GJ283003332415	POLY CAPACITOR	RD-T7GN	
	C 410	GJ283003332415	POLY CAPACITOR	RD-T7GN	
	C 411	GJ283003332415	POLY CAPACITOR	RD-T7GN	
	C 412	GJ283003332415	POLY CAPACITOR	RD-T7GN	
	CN402	GJ347201080001	CONNECTOR	RD-T7GN	
	D 401	GJ310010220205	DIODE	RD-T7GN	
	D 402	GJ310010220205	DIODE	RD-T7GN	
	IC401	GJ313010023103	IC	RD-T7GN	
	Q 401	GJ312030091201	TRANSISTOR	RD-T7GN	
	Q 402	GJ312030091201	TRANSISTOR	RD-T7GN	
	R 401	GJ250035612199	CARBON RESISTOR	RD-T7GN	
	R 402	GJ200951522499	CHIP RESISTOR	RD-T7GN	
	R 403	GJ200955622499	CHIP RESISTOR	RD-T7GN	
	R 404	GJ200951522499	CHIP RESISTOR	RD-T7GN	
	R 405	GJ200955622499	CHIP RESISTOR	RD-T7GN	
	R 406	GJ200951522499	CHIP RESISTOR	RD-T7GN	
	R 407	GJ200951522499	CHIP RESISTOR	RD-T7GN	
	R 408	GJ250032222199	CHIP RESISTOR	RD-T7GN	
	R 409	GJ200952242499	CHIP RESISTOR	RD-T7GN	
	R 410	GJ200952242499	CHIP RESISTOR	RD-T7GN	
	R 411	GJ250032242199	CARBON RESISTOR	RD-T7GN	
	R 412	GJ200952242499	CHIP RESISTOR	RD-T7GN	
	R 413	GJ250031042199	CHIP RESISTOR	RD-T7GN	
	R 414	GJ250031042199	CHIP RESISTOR	RD-T7GN	
	R 418	GJ200951532499	CHIP RESISTOR	RD-T7GN	
	R 419	GJ200951532499	CHIP RESISTOR	RD-T7GN	
	R 420	GJ200951532499	CHIP RESISTOR	RD-T7GN	
	R 421	GJ200951532499	CHIP RESISTOR	RD-T7GN	
	ZD401	GJ310030014405	ZENER DIODE,	RD-T7GN	

## ■ Electrical parts list (Volume board)

Block No. 04

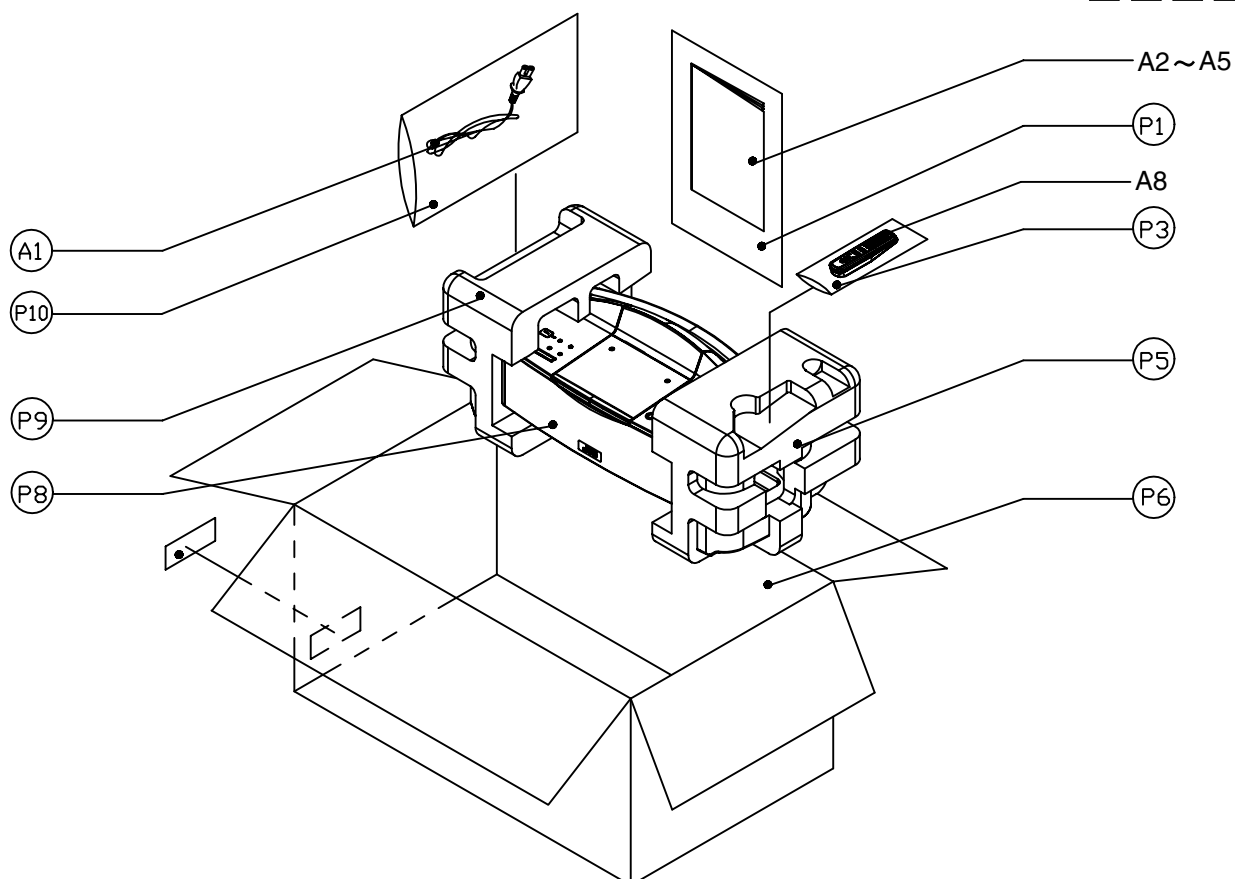
△	Item	Parts number	Parts name	Remarks	Area
	C 100	GJ270191051599	E.CAPACITOR	50V SA M 1.0MF	
	C 101	GJ270191051599	E.CAPACITOR	50V SA M 1.0MF	
	C 303	GJ270194740399	E.CAPACITOR	RD-T7GN	
	C 304	GJ283001032415	POLY CAPACITOR	RD-T7GN	
	C 306	GJ283001032415	POLY CAPACITOR	RD-T7GN	
	C 307	GJ270194740399	E.CAPACITOR	RD-T7GN	
	C 309	GJ270191060399	E.CAPACITOR	50V VX M 10MF	
	C 320	GJ283004732415	CAP, POLY FILM	50V AMZ J 0.047	
	C 342	GJ270191051599	E.CAPACITOR	50V SA M 1.0MF	
	C 344	GJ270191051599	E.CAPACITOR	50V SA M 1.0MF	
	C 345	GJ270191051599	E.CAPACITOR	50V SA M 1.0MF	
	C 348	GJ270191051599	E.CAPACITOR	50V SA M 1.0MF	
	C 349	GJ270111070399	E.CAPACITOR	0V VX M 100MF	
	C 351	GJ283002722415	POLY CAPACITOR	50V AMZ J 0.002	
	C 352	GJ283004732415	CAP, POLY FILM	50V AMZ J 0.047	
	C 353	GJ283004732415	CAP, POLY FILM	50V AMZ J 0.047	
	C 354	GJ283002722415	POLY CAPACITOR	50V AMZ J 0.002	
	C 355	GJ283004732415	CAP, POLY FILM	50V AMZ J 0.047	
	CN310	GJ347201110001	CONNECTOR	P=2MM 11PIN C	
	IC301	GJ313071391106	IC	LC75342	
	R 301	GJ200955612499	CHIP RESISTOR	RD-T7GN	
	R 301	GJ200952222499	CHIP RESISTOR	RD-T5BU	
	R 302	GJ200953022499	CHIP RESISTOR	RD-T5BU	
	R 302	GJ200951222499	CHIP RESISTOR	RD-T7GN	
	R 303	GJ200952722499	CHIP RESISTOR	RD-T7GN	
	R 304	GJ200951222499	CHIP RESISTOR	RD-T7GN	
	R 305	GJ200952722499	CHIP RESISTOR	RD-T7GN	
	R 306	GJ200952222499	CHIP RESISTOR	RD-T5BU	
	R 306	GJ200955612499	CHIP RESISTOR	RD-T7GN	
	R 310	GJ200951032499	CHIP RESISTOR	1608 1/16W J 10	
	R 311	GJ200951032499	CHIP RESISTOR	1608 1/16W J 10	
	R 312	GJ200951032499	CHIP RESISTOR	1608 1/16W J 10	
	R 347	GJ200953922499	CHIP RESISTOR	1608 1/16W J 3	
	R 348	GJ200953922499	CHIP RESISTOR	1608 1/16W J 3	
	R 349	GJ250031512199	RESISTOR	1/4WM J 150	
	R 350	GJ200953922499	CHIP RESISTOR	1608 1/16W J 3	
	R 351	GJ200951022499	CHIP RESISTOR	1608 1/16W J 1	
	R 352	GJ200953922499	CHIP RESISTOR	1608 1/16W J 3	
	R 353	GJ200951022499	CHIP RESISTOR	1608 1/16W J 1K	

## ■ Electrical parts list (Power supply board)

Block No. 03

△	Item	Parts number	Parts name	Remarks	Area
	C 922	GJ264182232199	C.CAPACITOR	25V F Z 0.022UF	
	C 923	GJ264182232199	C.CAPACITOR	25V F Z 0.022U	
	C 924	GJ264182232199	C.CAPACITOR	25V F Z 0.022U	
	C 926	GJ264182232199	C.CAPACITOR	25V F Z 0.022UF	
	D 304	GJ310010220205	DIODE	1SS133T-77	
△	D 911	GJ310020100116	DIODE	IN5391 1.5A 50	
△	D 912	GJ310020100116	DIODE	IN5391 1.5A 50	
△	D 913	GJ310020100116	DIODE	IN5391 1.5A 50V	
△	D 914	GJ310020100116	DIODE	IN5391 1.5A 50V	
△	F 902	GJ369000600009	FUSE	1.6A 250V	
	FHOLD	GJ153321741	FUSE HOLDER		
△	J 902	GJ343021250505	AC SOCKET	AC125V 7A HJC-	
	R 901	GJ251273352201	CARBON RESISTOR	1/2W J 3.3M	
	R 945	GJ250033312199	CARBON RESISTOR	1/4WM J 330	

# Packing materials and accessories parts list

Block No.  M  2  M  MBlock No.  M  3  M  M

## Parts list (Packing)

Block No. M3MM

Item	Parts number	Parts name	Q'ty	Description	Area
P 1	GJ740253530300	POLYBAG	1	FOR INSTRUCTION	
P 3	GJ740082550400	POLY BAG	1	FOR REMOCON T7	
P 5	GJ560580080101	POLYFOAM (R)	1		
P 6	GJ560580020101	CARTON BOX	1	RD-T7GN	
	GJ560580050101	CARTON BOX	1	RD-T5BU	
P 8	GJ740325520300	POLYBAG	1	FOR UNIT	
P 9	GJ560580070101	POLYFOAM (L)	1		
P 10	GJ740122550000	POLYBAG	1	FOR POWER CORDE	

## Parts list (Accessories)

Block No. M5MM

Item	Parts number	Parts name	Q'ty	Description	Area
A 1	GJ350161831129	POWER CORD	1	7A 120V L=1.83M	
A 2	GJ773012590701	INSTRUCTIONS	1	ENG	J
	GJ773012590601	INSTRUCTIONS	1	ENG FRE	C
A 3	GJ773030190302	WARRANTY CARD	1		
	GJ773030290101	WARRANTY CARD	1		
A 4	GJ775000140101	SAFETY GUIDE	1		
A 5	GJ775000200202	SERVICE CENTER	1		
	GJ775000340101	SERVICE CENTER	1		
A 8	GJA1002040001C	REMOCON	1	RD-T7GN	